



Door controller module for MB

AC control in intrusion detection systems

The AC Door Module BUS-2 makes effective access control possible in conjunction with an intrusion detection control unit with BUS-2 technology.

This module allows rooms within a secure zone to be equipped with an access control function in cases where an arming/disarming facility is not required. Allocation to room/time zones and protocols for locking times and keys numbers are possible with this system.

Application-related data (e.g. key numbers, time-bound access rights, etc.) can be set via the control panel programming software (WINFEMAdvanced).

Code carriers, time zones and rights are managed in the control panel.

The access control function is only active when the IDS is in the **disarmed state**.

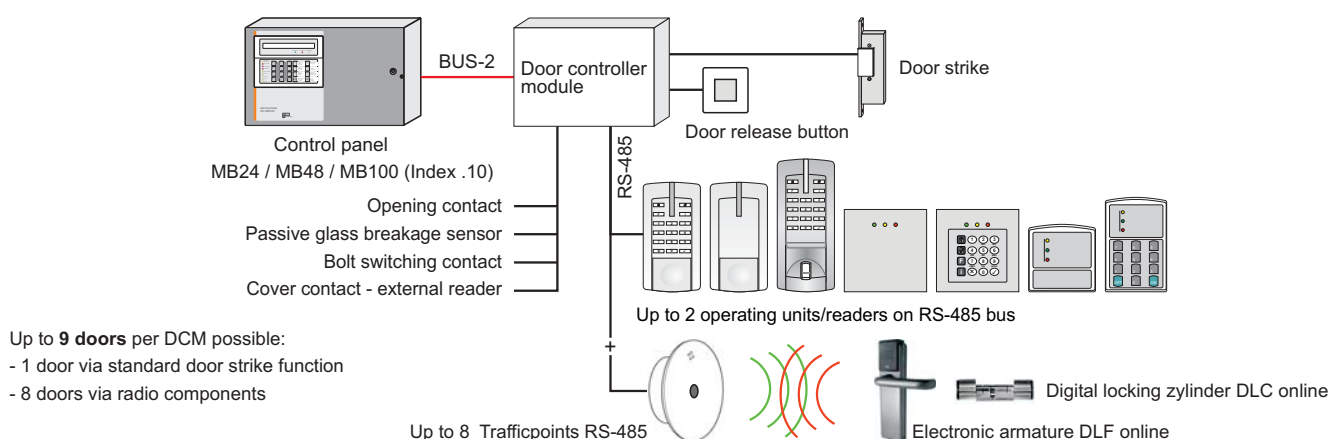
Overview of functions:

- **Access control**
A door that has been locked by a door opener can be released via the operating unit and/or a switch.
- **Access control function via radio components**
Wireless access control system with Electronic armatures DLF online and/or Digital locking zylinders DLC online as readers. The system communicates with the DCM via Trafficpoint RS-485 (see below). One DCM can be equipped with up to 8 "radio doors" with access control function incl. individual authorizations.
- **Hold-up alarm**
Entering a hold-up code via the keypad on the operating unit triggers a hold-up alarm.
- **Control functions**
Up to 100 control and switching functions can be accessed via the operating unit keypad. Function allocation takes place in the macro programming in the control panel.

Features

- Access control function with working current and no-load current door strikes
- RS-485 reader interface with a range of up to 1200 m
- Connection of up to 2 operating units/readers (inside/outside)
- Operating units/readers with IK3/proX2, IK2/proX1, mifare and LEGIC technology are supported (for more details, refer to the table on page 2)
- Variable code procedure in accordance with VdS 2119 is supported in conjunction with IK3 operating units, IK3 Fingerkey readers and proX2 readers for Siedle Vario
- Threat alert via hold-up code
- Up to 100 control functions (macros) can be defined
- Management of access control functions and granting occupancy rights in time zones
- Various connections for door monitoring:
 - Bolt switch contact
 - Opening contact
 - Passive glass breakage sensor (with clear function)
- VdS Class C approval for ACS and IDS

System design



Possible operating units/readers

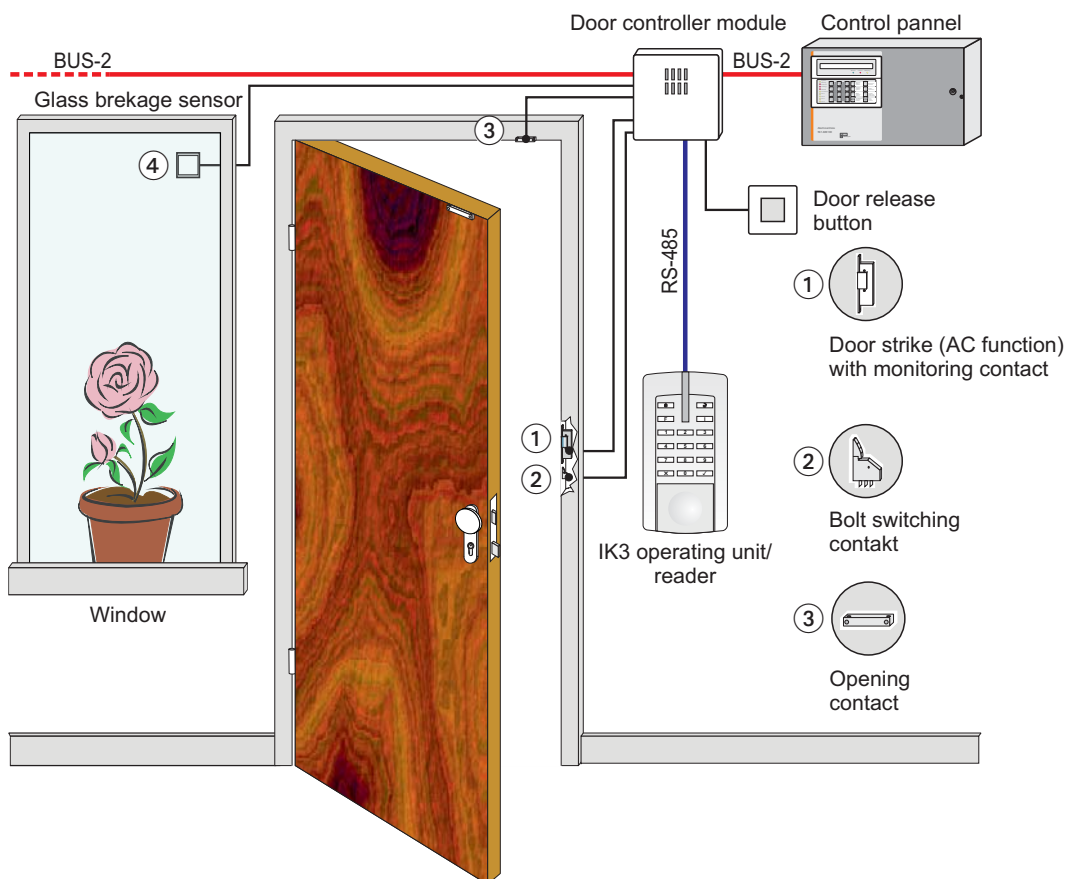
Up to 2 operating units/readers (any mixture of types is possible) can be operated via the RS-485 bus. Additional up to 8 Trafficpoints RS-485 are possible.

IK3 operating units, the IK3 Fingerkey reader and proX2 reader for Siedle Vario support the variable code procedure in accordance with VdS 2119. Pre-coded data carriers supplied by Honeywell are required if the variable code procedure is to be used.

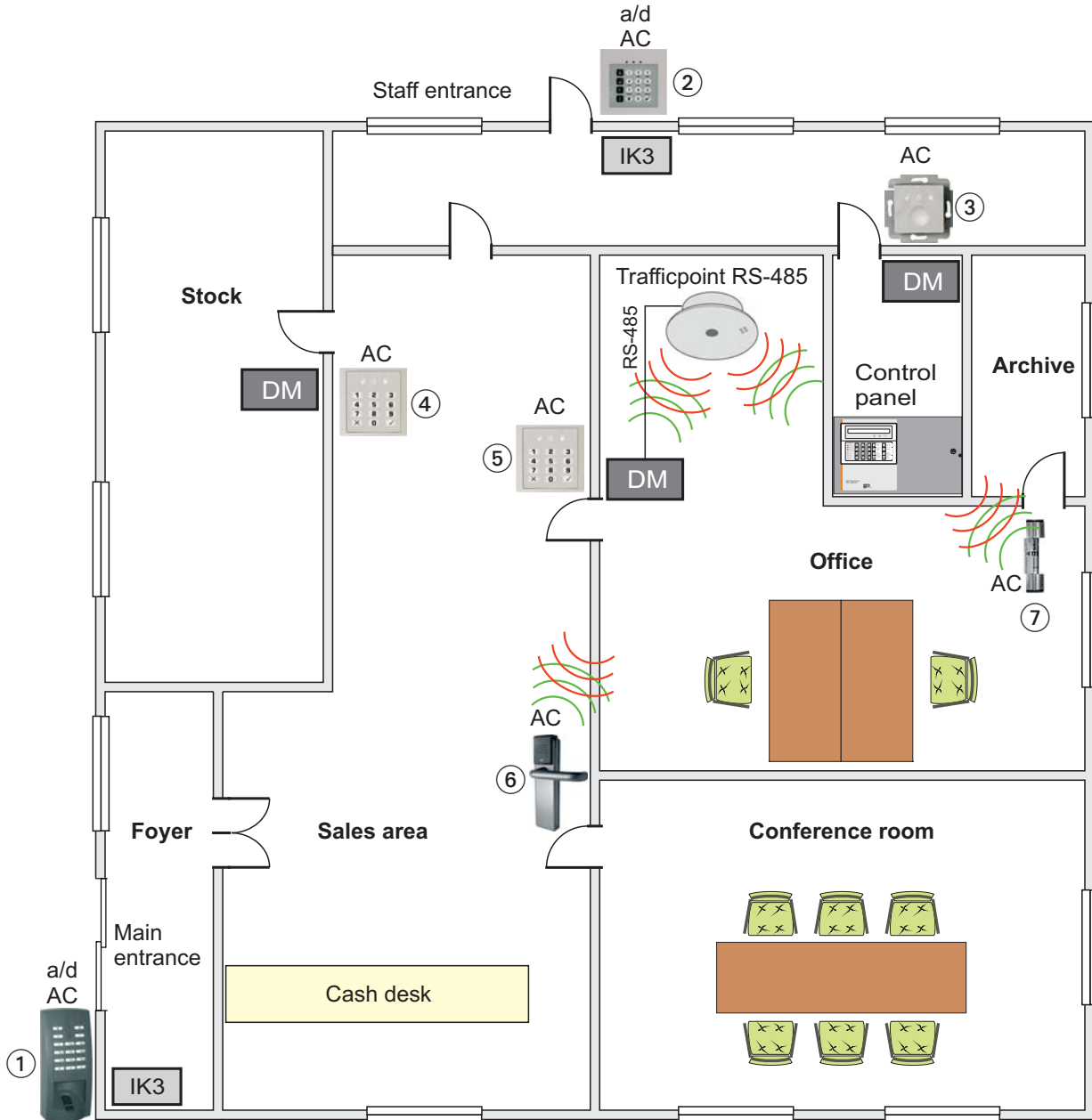
Type Operating unit / Reader	Item no.		VdS *
	with keypad	without keypad	
IK3-Operating unit	023320	023322	Cl. C
mifare-Reader "Accentric"	026423	026422	Cl. C
mifare DESFire EV1 Reader "Accentric"	026436	026435	Kl. C
LEGIC advant-Reader "Accentric"	026425	026424	
IK3-Fingerkey-Reader "Accentric"	029340	---	Cl. C
mifare-Fingerkey-Reader "Accentric"	029341	---	Cl. C
proX2-Reader for Siedle Vario	023340-43	023330-33	Cl. C
"Insertic" proX1 / mifare / LEGIC	027669/73/77	027668/72/76	
"Insertic" LEGIC advant	027677.10	027676.10	
"Insertic-50" proX1 / mifare / LEGIC	---	027661/63/65	
"Insertic-50" LEGIC advant	---	027665.10	
AC Reader proX1 "Classic"	026481	026480.10	
AC Reader proX1 (range 25 cm)	---	026366.10	
proX1 Reader with Scramble keypad	026445/45.10	---	
Trafficpoint RS-485		022963	

* VdS Class C for IDS and ACS

Planning example



Application example



Legend

a/d = arm/disarm

AC = Access control function

IK3 IK3 Evaluations unit BUS-2

DM Door controller module for MB

Readers in this example:



Other possible readers see table on page 2.

Technical Data

Rated operating voltage	12 V DC
Operating voltage range	9 V to 15 V DC
Operating voltage for operating units (output)	12 V DC, short circuit-proof, current-limited at 200 mA max.
Current consumption:	
- Module no-load current	< 15 mA (maximum value)
- GBS terminated with 12k1	+ 1 mA
- Relay	+ 17 mA
- Buzzer	+ 3 mA
- Module, plus all inputs terminated plus 1 IK3 operating unit	Type 25 mA
Detector group inputs:	
- Release contact	3.3 V DC DG, monitored at 12k1±40%
- Glass breakage sensor	12 V DC DG, monitored at 12k1±30% (with clear function)
- Bolt switching contact	12 V DC DG, active LOW
- Cover contact - external reader	3.3 V DC DG, monitored at 12k1±40%
Contact rating of relays	max. 2 A, 30 V AC/DC, 30 VA
Interface to IK3 OU, AC LEGIC/mifare	RS-485
Protection category as per DIN 40 050	IP30
Environmental class as per VdS	II
Operating temperature range	-5 °C to +55 °C
Housing dimensions (W x H x D)	118 x 118 x 31 mm
Color	traffic white (similar to RAL 9016)

Ordering informations



023350.17



050067.17



050066.17

Item no.	Designation
023350.17	Door controller module for MB
	VdS -approval: Z110004 (ACS) G110049 (IDS)

Accessories

Item no.	Designation
050067.17	Housing sleeve
050066.17	Distributor housing, f.m.

Honeywell Security Group

Novar GmbH
 Johannes-Mauthe-Str. 14 · 72458 Albstadt
 Tel. +49(0) 74 31/801-0 · Fax 801-12 20
 www.honeywell.com/security/de
 info.security.de@honeywell.com

P00646-22-0G0-04
 02.2012 · Subject to change without notice.
 © 2012 Honeywell International Inc.

Honeywell