



DC-9101E

Conventional Combination Heat Photoelectric Smoke Detector



Description

DC-9101E Conventional Combined Heat and Photoelectric Smoke Detector integrates photoelectric detection, fixed temperature and rate of rise detection technology. The smoke sensor and heat sensor are integrated in mechanism and circuitry structure, provide wide range of application, to detect more types of fire conditions like black smoke with small particles and alcohol flame.

Features and Benefits

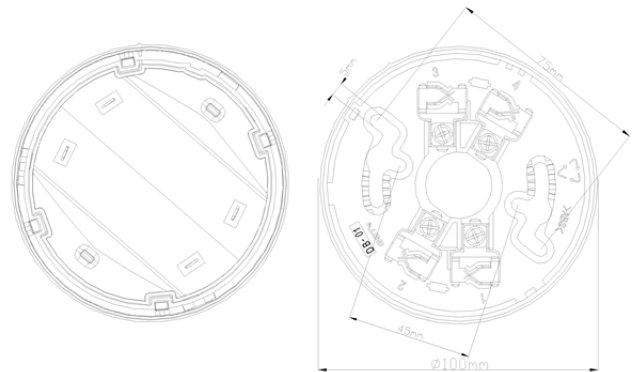
- Drift compensation enables strong environmental adaptability.
- Self-diagnostic.
- Reed switch test.
- Dirty chamber checking.
- Fire LED allows 360° viewing
- Possible to switch off pulling LED
- Remote indicator output.
- 2 levels smoke sensitivities programmable.
- LPCB approved at EN 54-7 and EN 54-5.

Certificates and Compliance

- Standards: CE / CPD / EN54-5/7 / CEA4021
- Certifications: LPCB
- BS5839-1 Compliant
- WEEE & RoHS Compliant

Terminals and Installation Holes

Below figures show the detector bottom and terminals of the base.



There are four terminals with marks on the base.

- 1: Positive IN
- 2: Positive OUT
- 3: Negative IN and OUT
- 4: Positive terminal of remote indicator
- 4: Negative terminal of remote indicator

The base can be installed onto standard European embedded back box, with hole-distance 45mm to 75mm.

Recommended Cabling

1.0mm² or above fire cable is recommended, but subject to local codes.

Application

Detection sensitivities can be set through P-9910B programmer. Below table shows relative codes for sensitivity levels and working modes. Factory defaults at Level 1 + Rate of Rise.

Sensitivity Code	Sensitivity Codes	
	Smoke Sensitivity	Heat Sensitive
1	Level 1	Rate of rise
2	Level 2	Rate of rise

When the detector connects with conventional fire alarm control panel or addressable zone monitor unit from GST, and if DP-9907 Active End of Line Unit is connected to the end of output loop, DB-01D base should be used.

✧ The typical connection of Active End Of Line

✧ The typical connection of End of Line Resistor

Technical Specification

Operating Voltage	24V (16V ~ 28V)
Standby Current	≤60uA
Alarm Current	≤55mA
Indicator	Red. Flashes in polling, and illuminates in alarm
Wiring	Polarized 2-core for Zone. Polarized 2-core for remote indicator.
Sensitivity Level	2
Alarm reset	Instant power down (Min.2s, Max.1.0VDC)
Heat Detector Class	A2R
Action Temperature	62 °C
Environment Temperature	-10°C ~ 50°C
Relative Humidity	≤95%, non condensing
Material of Enclosure	ABS
Ingress Protection Rating	IP2X
Dimensions	Diameter: 100mm Height: 54.5mm (with base)
Mounting Hole Distance	45mm ~ 75mm
Weight	About 110g

Ordering Information and Compatible Products

Part No.	DC-9101E
Device Name	Conventional Multi Sensor
Order Code	2014830
Compatible Products	GST102A~GST116A Conventional Panels I-9319 Zone Monitor Module

Accessories and Tools



Part No.: DB-01
Device name: Standard Base
Order Code: 4045764



Part No.: DB-01D
Device name: Diode Base
Order Code: 4041432



Part No.: C-9314P
Device name: Remote Indicator
Order Code: 2132339



Part No.: DP-9907
Device name: Active End of Line
Order Code: 2713044



Part No.: P-9910B
Device name: Handhold Programmer
Order Code: 1274894